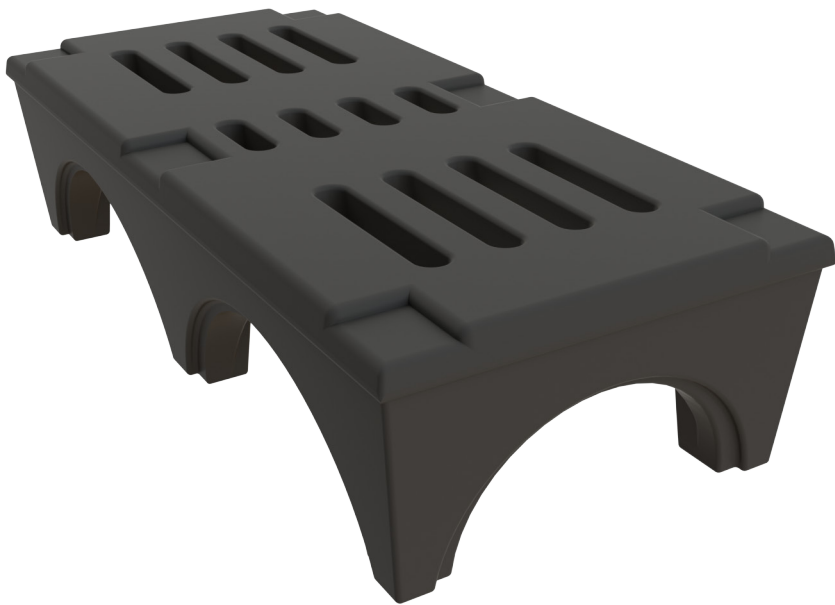


# Plastic Dunnage Rack

Securely stores product off floor as well as permitting air flow around the entire product. Prolong package life while permitting cleaning under the product. This plastic dunnage rack is very versatile looks great in back rooms and storage areas, or as a display merchandiser on the store floor.

## FEATURES:

- One piece seamless construction that requires no assembly
- Rust and corrosion free
- Heavy duty construction can hold up to 3,000 pounds
- Molded of 100% recyclable material
- Durable, yet light weight
- Wide base for sturdy storage
- Corner pockets allow dunnage rack to be stackable for storage or shipping needs



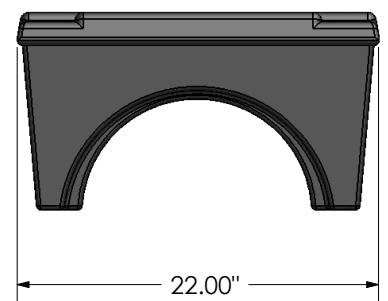
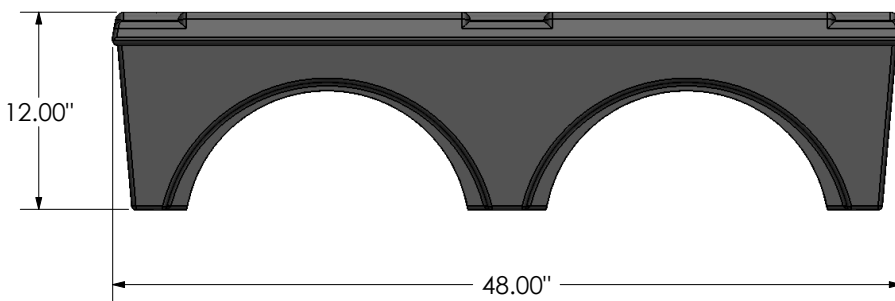
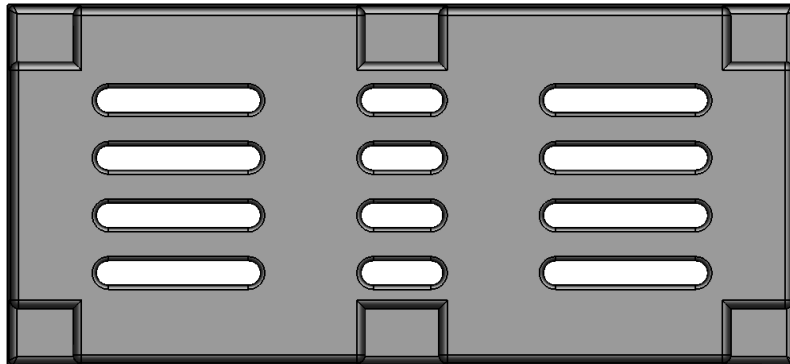
Stackable for easy storage





**Bakery**

Freight Class: 100  
NMFC Code:156600-S6



Order #	Model	W	L	H	Capacity	Weight
5000150	PL-DR-224812-BLK, PLASTIC DUNNAGE RACK	22"	48"	12"	3000 lbs.	21 lbs.

Can't find exactly what you need? Give us a call and we'll help you with the perfect solution!



**NATIONAL CART CO**

**PH: 800-455-3802**

**www.nationalcart.com**

Revision Date: Mar. 2013